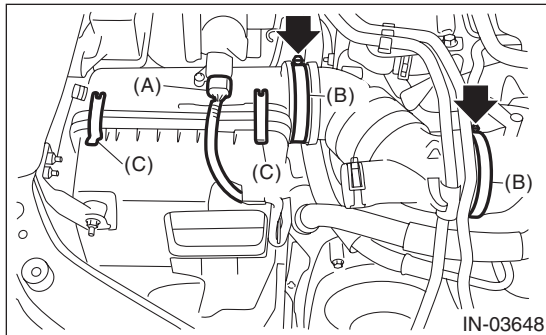


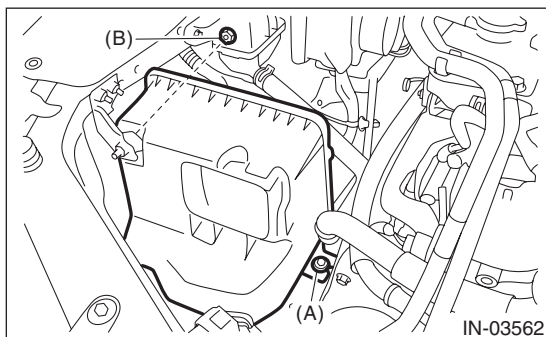
## 3. Air Cleaner Case

### A: REMOVAL

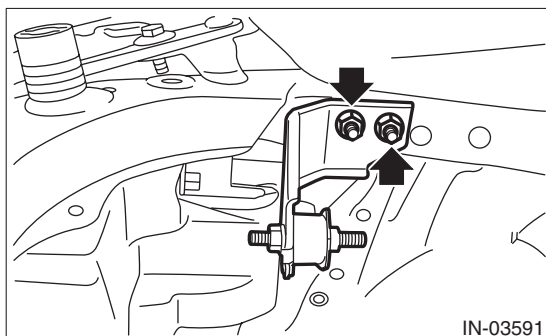
- 1) Disconnect the ground cable from battery.
- 2) Remove the air intake duct. <Ref. to IN(STI)-11, REMOVAL, Air Intake Duct.>
- 3) Remove the chamber assembly. <Ref. to IN(STI)-22, REMOVAL, Chamber Assembly.>
- 4) Disconnect the connector (A) from air flow and intake air temperature sensor.
- 5) Loosen the clamp (B) which holds the air intake boot.
- 6) Remove the clip (C) from the air cleaner case (front).



- 7) Remove the air cleaner case (rear) and air intake boot.
- 8) Remove the air cleaner element.
- 9) Remove bolts (A) and nuts (B) which secure the air cleaner case (front) to the body and air cleaner case bracket, and remove the air cleaner case (front).



- 10) Remove the air cleaner case bracket from the vehicle.

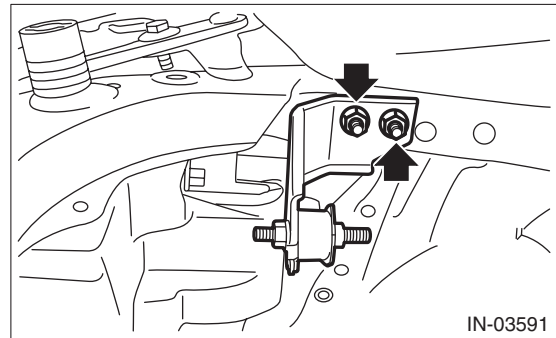


### B: INSTALLATION

- 1) Install the air cleaner case bracket to the vehicle.

#### Tightening torque:

**7.5 N·m (0.8 kgf-m, 5.5 ft-lb)**



- 2) Install the bolt (A) and nut (B) which secure the air cleaner case (front) to the vehicle and to the air cleaner case bracket.

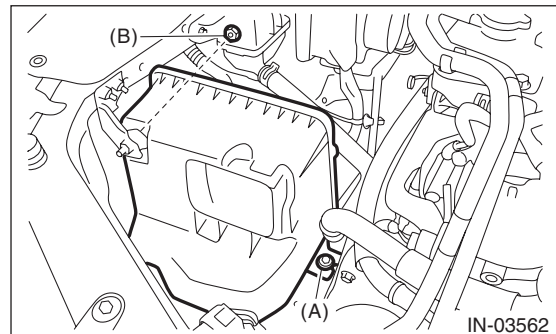
#### Tightening torque:

**Bolt (A)**

**6 N·m (0.6 kgf-m, 4.4 ft-lb)**

**Nut (B)**

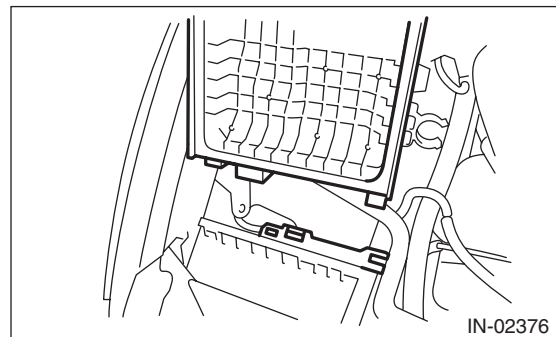
**7.5 N·m (0.8 kgf-m, 5.5 ft-lb)**



- 3) Set the air cleaner element and air cleaner case (rear) to the air cleaner case (front).

#### NOTE:

When setting the air cleaner case (rear), align the protrusion of the air cleaner case (rear) to the air cleaner case (front) to insert.



# Air Cleaner Case

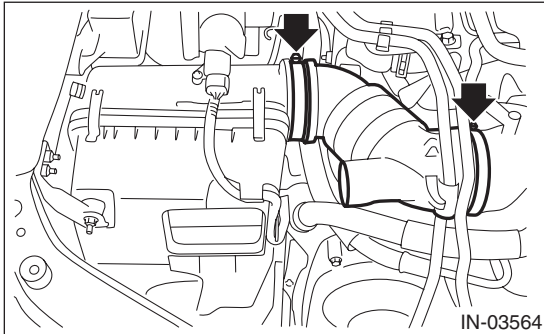
## INTAKE (INDUCTION)

---

4) Install the air intake boot.

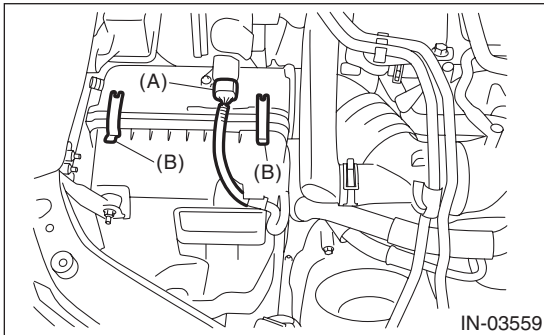
**Tightening torque:**

**2.5 N·m (0.3 kgf·m, 1.8 ft·lb)**



5) Install the clip (B) to the air cleaner case (front).

6) Connect the connector (A) to the mass air flow and intake air temperature sensor.



7) Install the chamber assembly. <Ref. to IN(STI)-22, INSTALLATION, Chamber Assembly.>

8) Install the air intake duct. <Ref. to IN(STI)-11, INSTALLATION, Air Intake Duct.>

9) Connect the battery ground terminal.

## C: INSPECTION

1) Check that the air cleaner case has no deformation, cracks or other damages.

2) Check that the air intake boot has no cracks, damage or loose part.